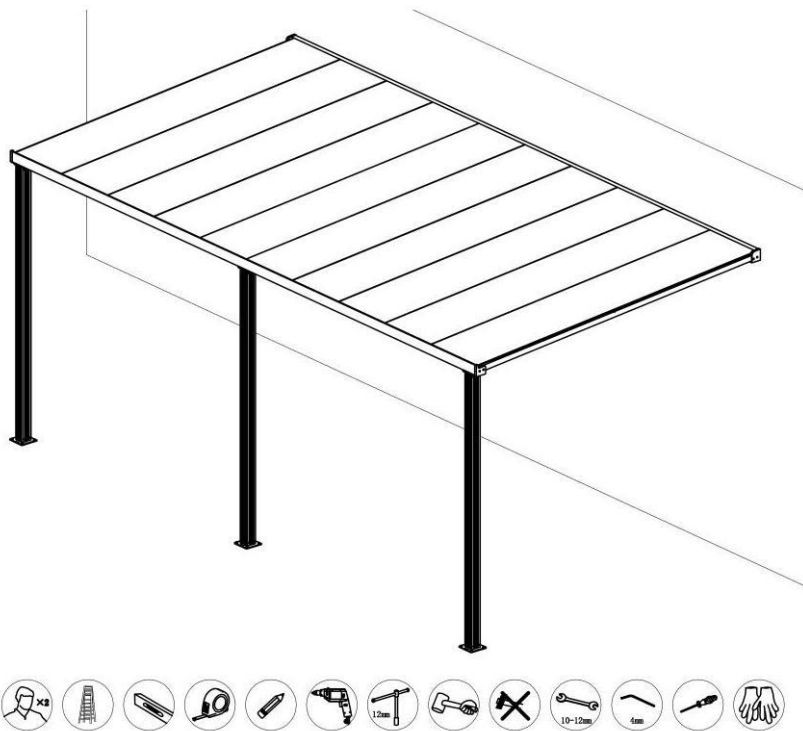




Wall Mounted Patio Cover

Installation Instruction Manual

L6.05 x W3 x H2.8 & L4.85 x W3 x H2.8



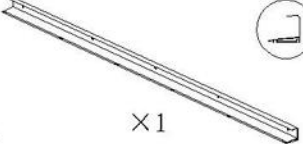


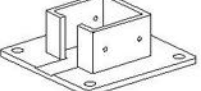

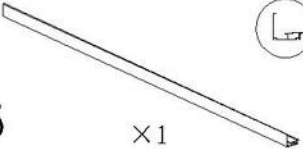
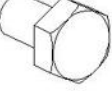



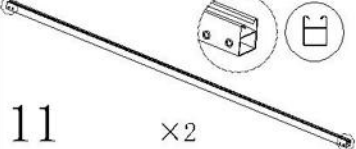
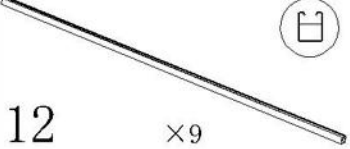
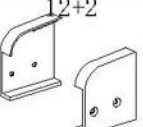
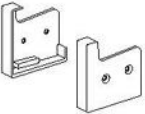








Installation will require the following:

- 2 or more people
- 2 ladders
- 1 spirit level
- 1 measuring tape
- 1 marker pen
- 1 impact drill
- 12mm socket wrench
- 1 rubber mallet
- 10-12mm open ended spanner
- 4mm hexagon wrench
- 1 screwdriver

1.

Before you begin, open the boxes and confirm that all the parts are present. The diagram below shows all the parts.

1.

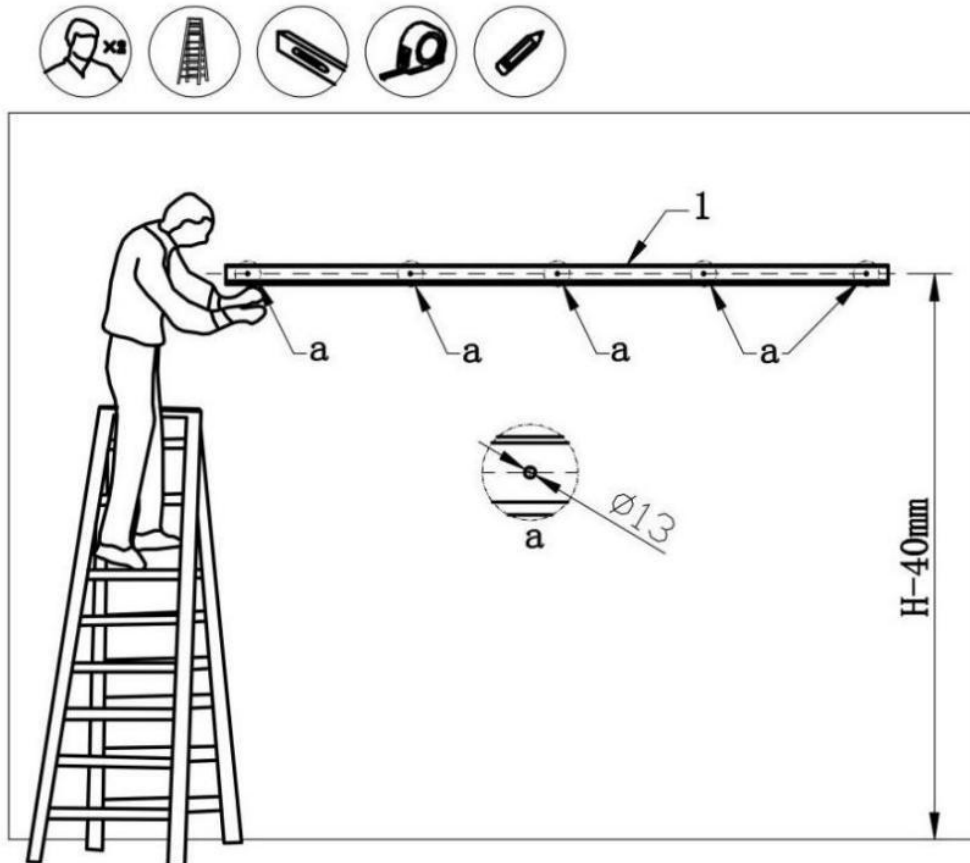
1  ×1	2 M8×70  ×12+1	3  ×3
4  ×3	5 M6×16  ×70+4	6  ×1
7  ×	8  ×3	9  ×3
10 12+2  ×	11  ×2	12  ×9
13 12+2  ×1	14  ×1	15 M6×16  ×8+2
16  ×8+2	17 M6×12  ×8+2	18  ×10
19 4mm  ×1	20 10-12mm  ×1	21  ×10
		22  ×10

Part numbers indicated here correspond to the part numbers in the following diagrams.

Note: if the product you purchased is in size **L4.85xW3xH2.8**, you will get 16 part 2, 52 part 5 and 7 part 12, 8 part 16, 8 part 17, 8 part 18 and 8 part 22.

2.

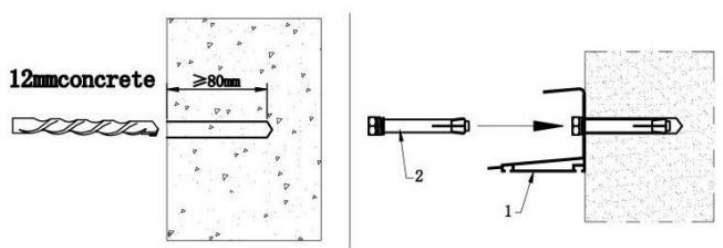
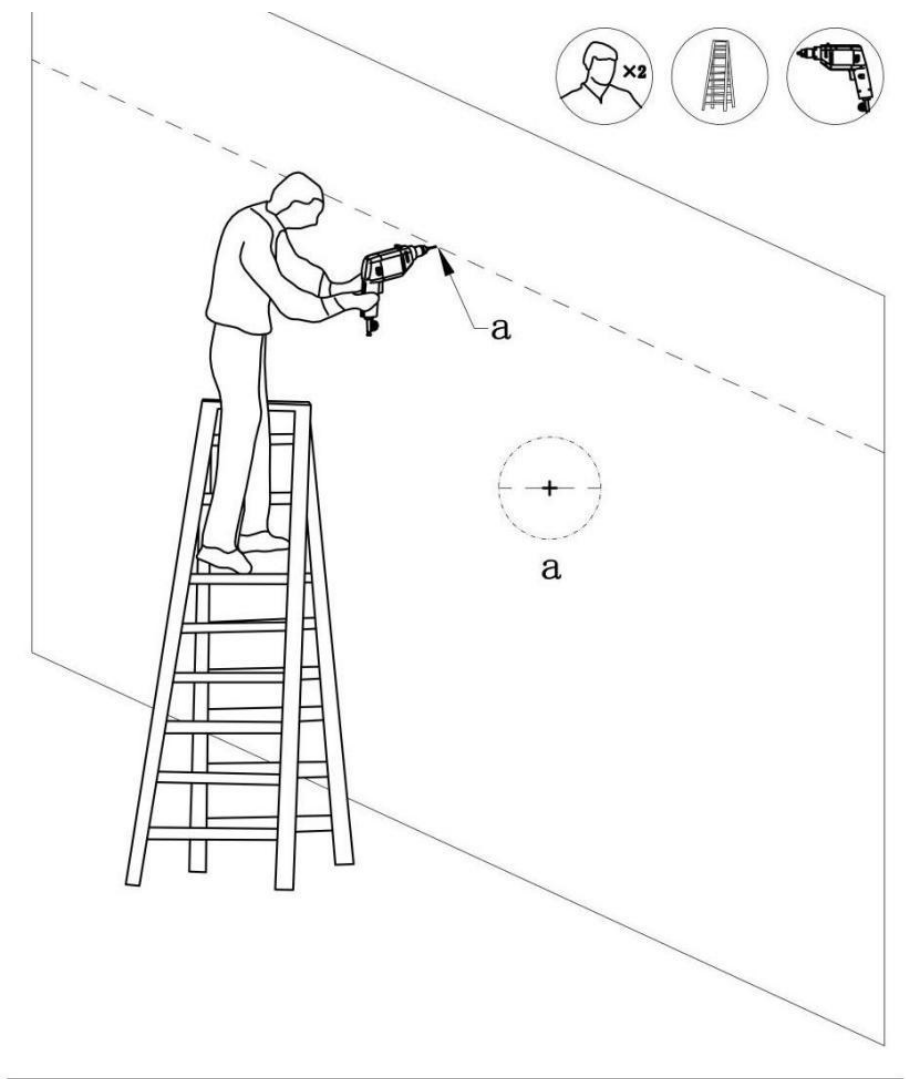
The wall mount rail (1) should be mounted **40mm** lower than the overall height of the patio cover; so **Installation height = 2800mm - 40mm = 2760mm**. Place the rail on the wall at the correct height and make sure it is level (make sure to use a spirit level). At each screw hole (a), place a mark on the wall using the marker pen to indicate where holes need to be drilled.



2.

3.

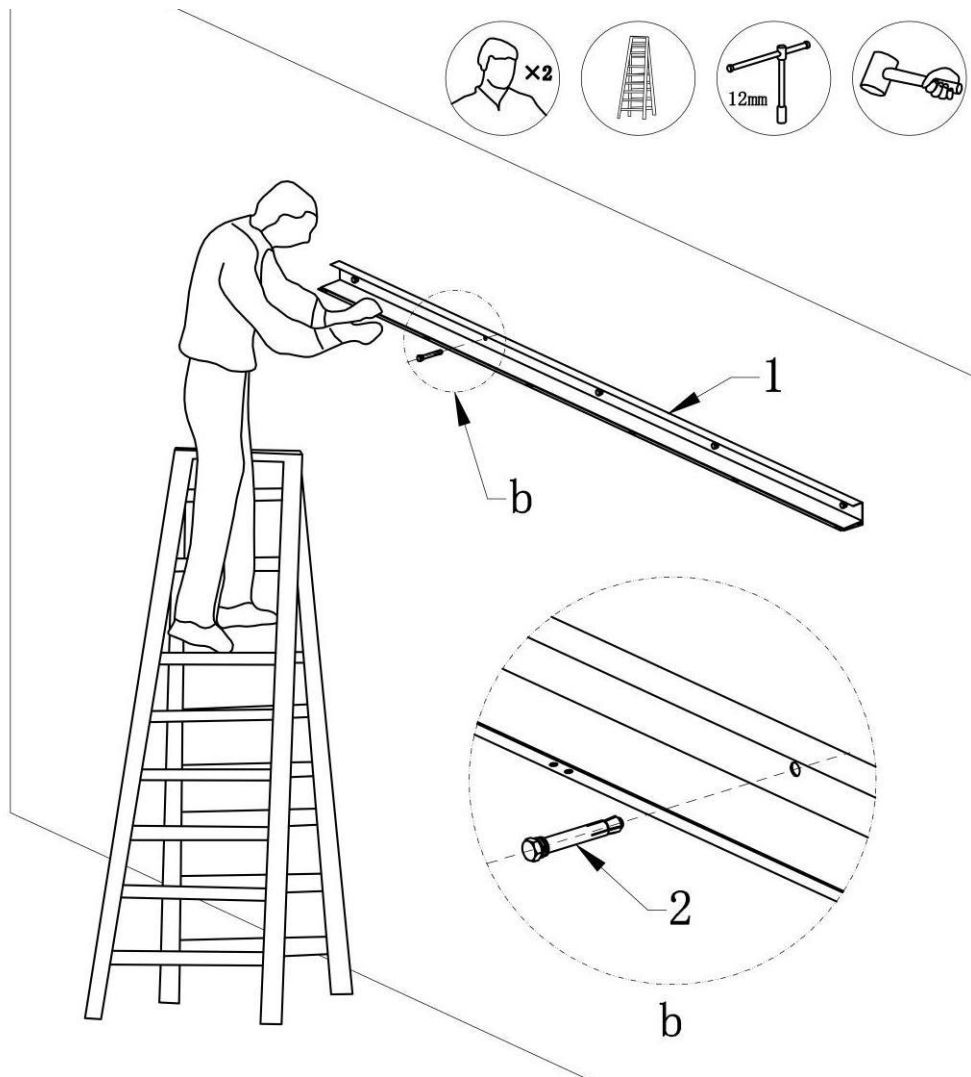
Using a 12mm \varnothing drill bit, drill holes 80mm deep at each point marked (a). This will allow installation of the expansion bolts (2). If the product is being mounted to a wood surface, substitute expansion bolts for coach bolts or coach screws. This will depend on the exact application and is at the customer's discretion.



3.

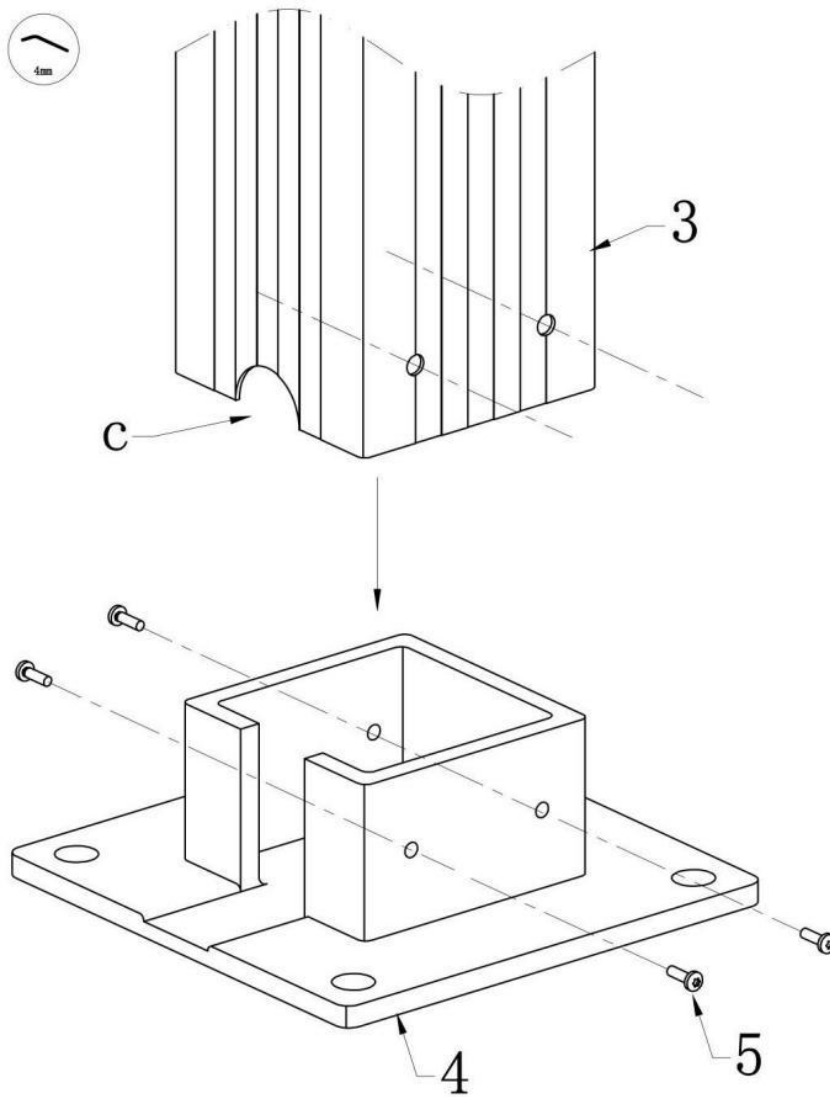
4.

Secure the wall mount rail (1) using the expansion bolts (2). Hammer the expansion bolts in using a rubber mallet, then tighten using a 12mm socket wrench. If mounting to a wooden surface, fix the rail to the wall using your chosen method.



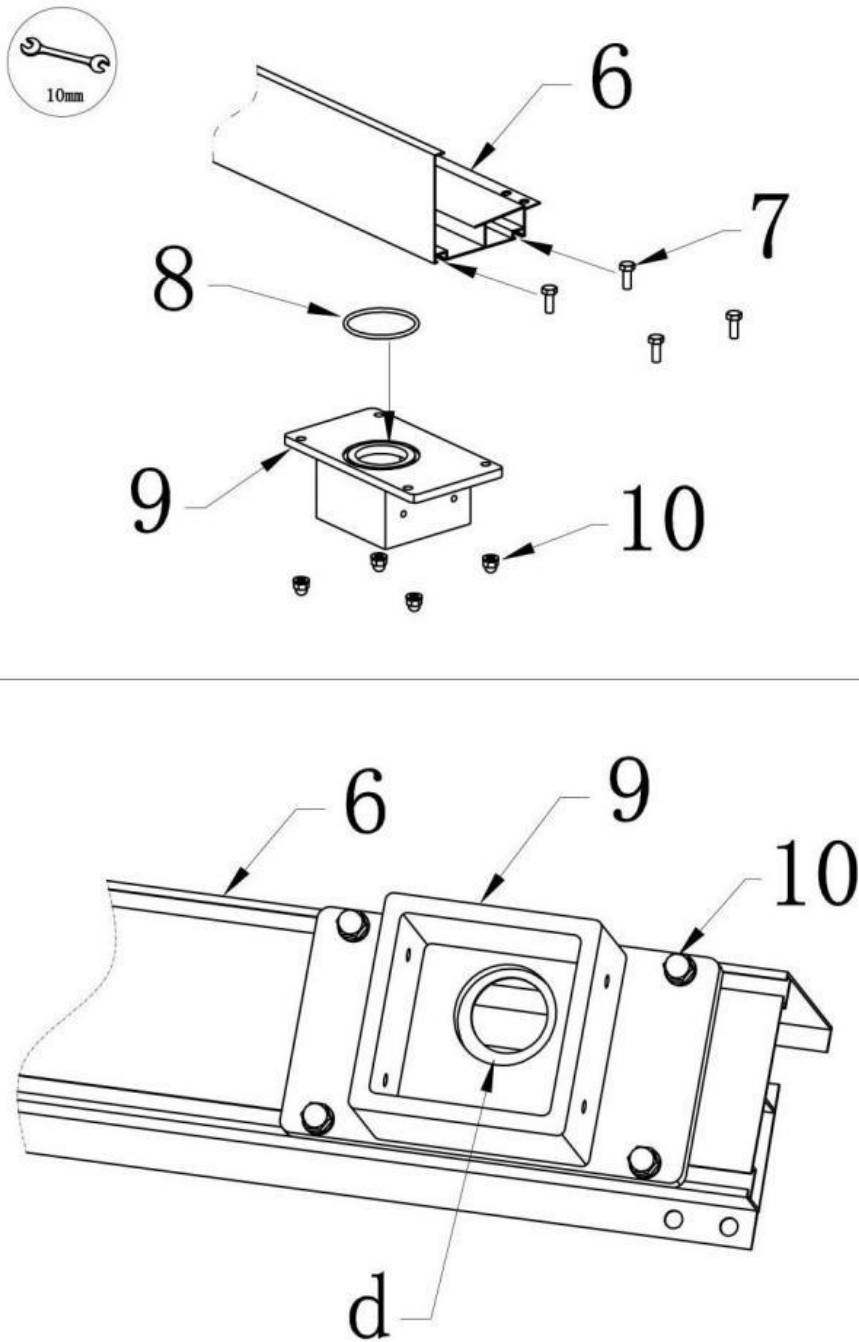
5.

Using the 4mm hexagon wrench, connect the support legs (3) with the anchor feet (4) using the M6 x 16 hex screws (5). Take care to align the semicircular notch (c) in Part No. 3 with the same notch in Part No. 4, as this allows water to drain from the roof.



6.

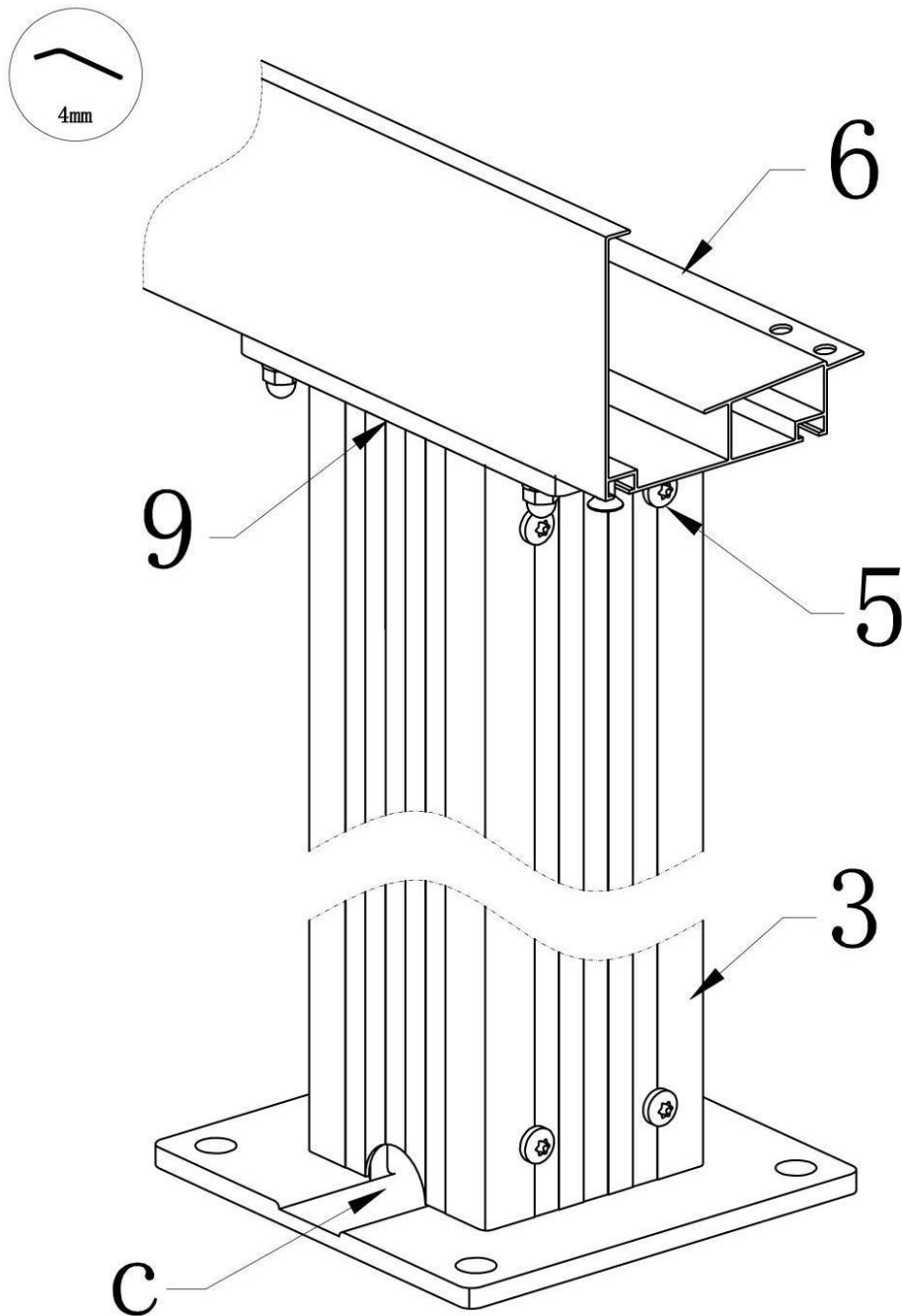
Connect the front rail (6) to the three support leg mounts (9) using the Hex bolts (7, 10). Don't forget to include the rubber O-ring (8) as per the diagram. **Make sure the drainage hole in Part No. 9 is aligned with the corresponding drainage hole in Part No. 6. Please see (d) in diagram below.**



6.

7.

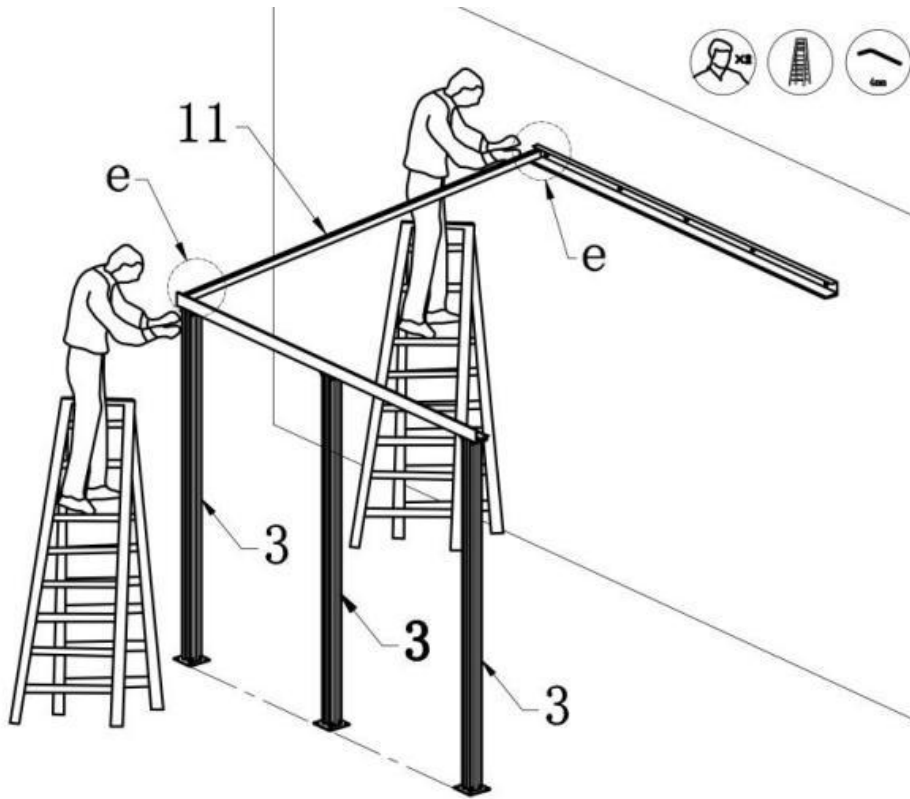
Connect the support legs (3) to the front rail (6, 9). Use M6 x 16 hex screws (5) to secure the legs (3) to the mounts (9). **Make sure the drain (c) is pointing forwards as per the diagram below.**



7.

8.

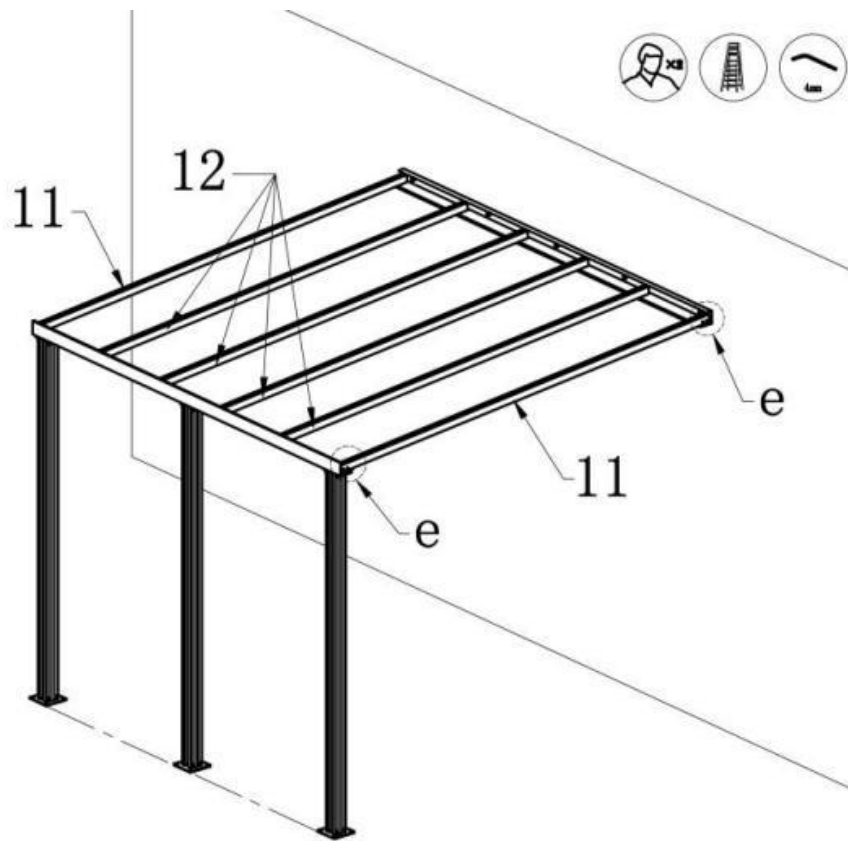
Using the side rail (11) attach the front rail and supports (3) to the wall mount (1). Make sure the threaded holes on the side rail (11) are on the outside (e), then attach using M6 x 16 hex screws (5). **Do not install the second side rail until you have completed the next step!**



8.

9.

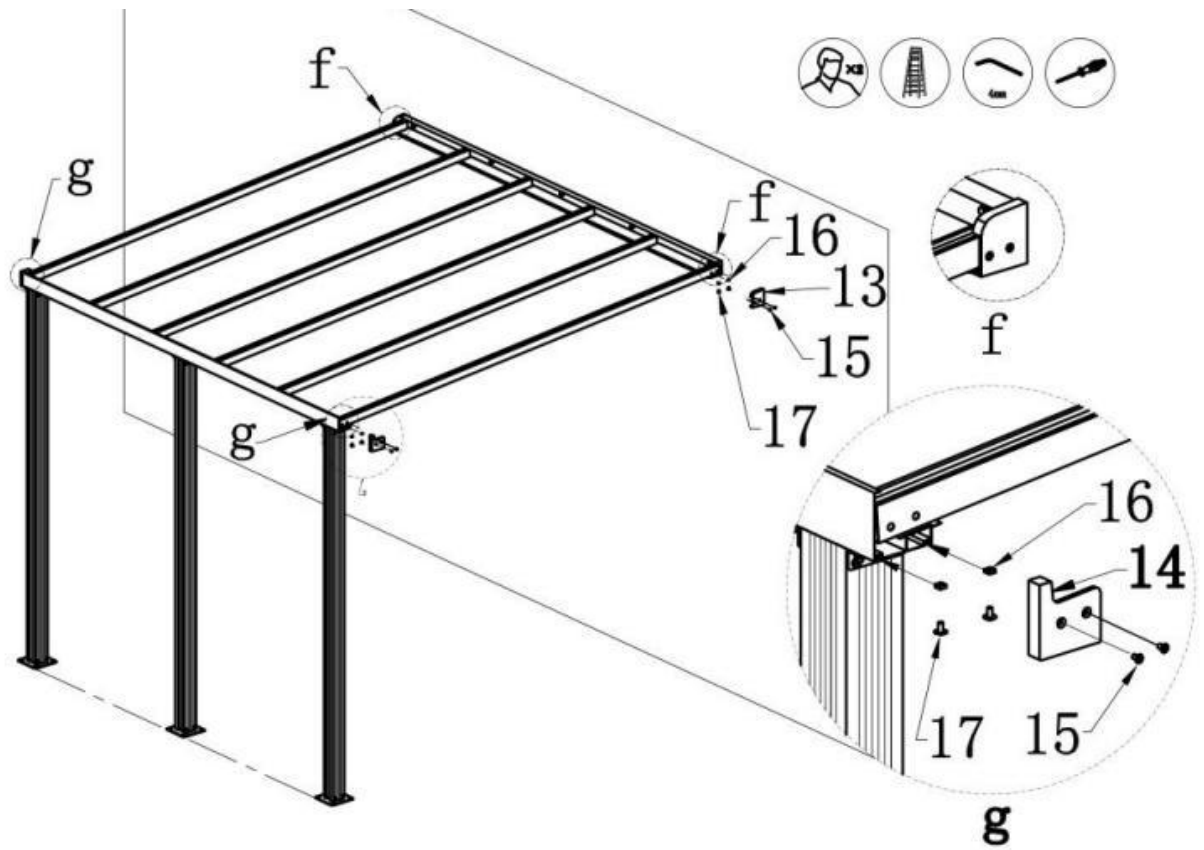
Install the central spars (12), and secure using M6 x 16 hex screws (5). Now install the second side rail (11), again ensuring the threaded holes are on the outside (e). Secure using M6 x 16 hex screws (5).



9.

10.

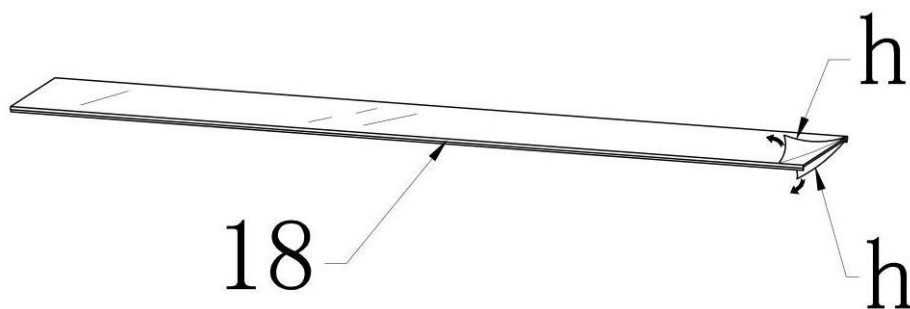
Install the four end caps (13, 14). First place 2 *part 16* on either *part 1* or 6. Then put *part 13* to *part 1* (14 to 6) using 2 cross countersunk head bolts (15) to fix in and 2 *part 17* to secure from bottom. Refer to figures (f) and (g) for the correct orientation.



10.

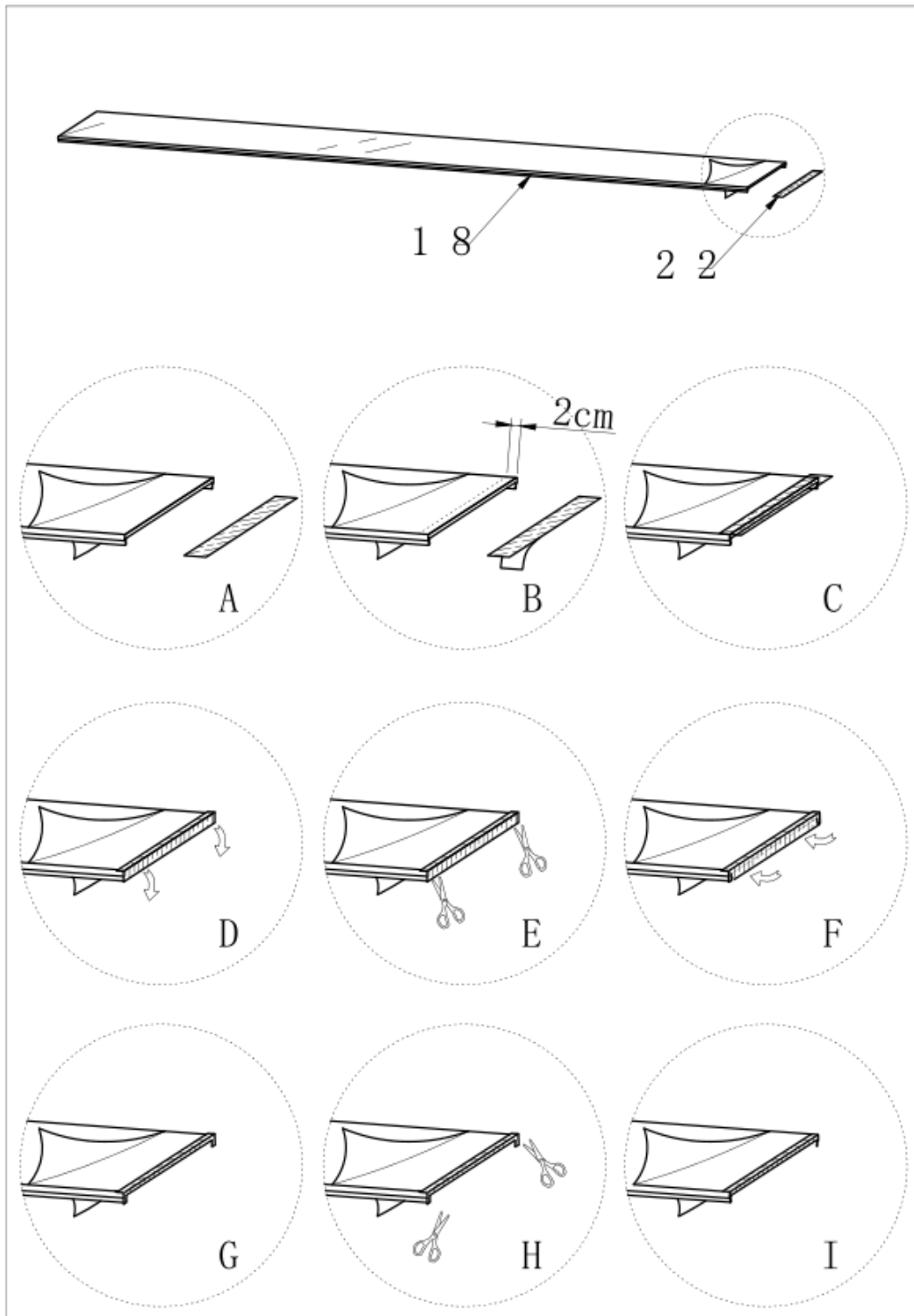
11.

Carefully remove the protective film (h) from the polycarbonate panels *part 18*. And seal the one side with *part 22* as following :



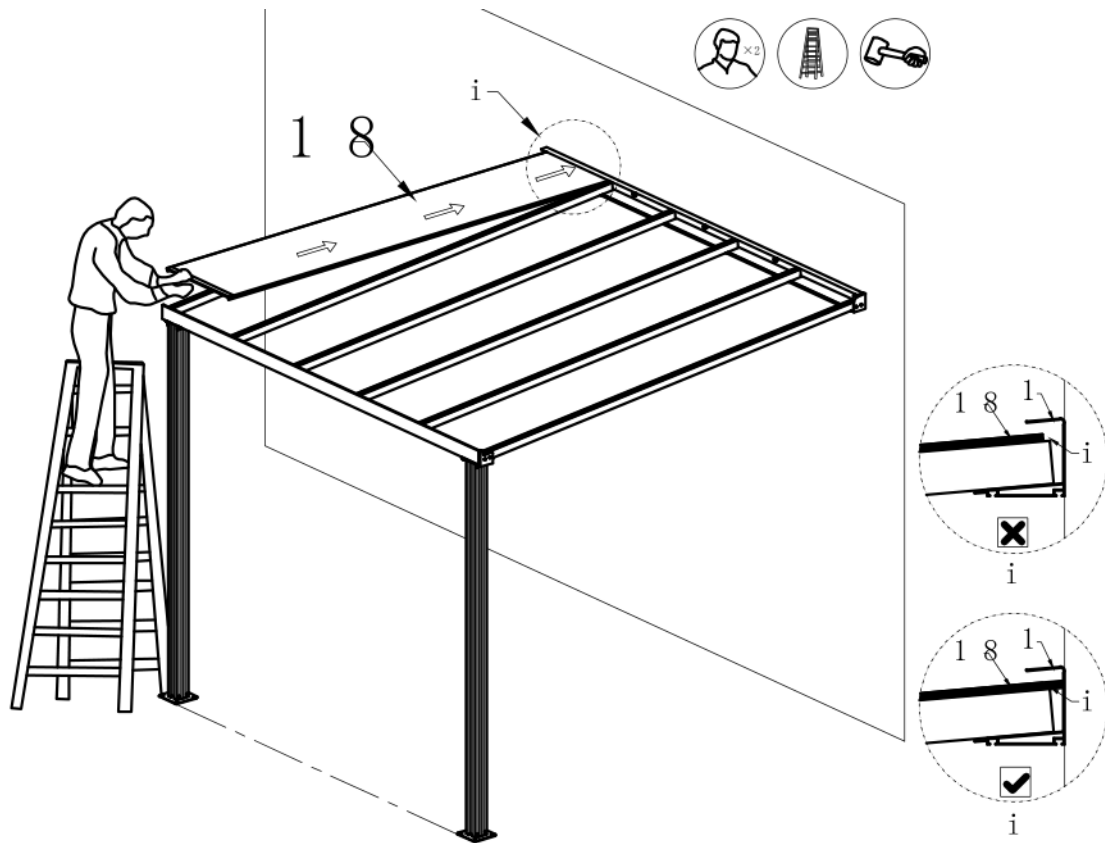
11.

- A、 Remove protective film on the surface of part 18
- B、 Drawing a line at the 2cm position of the side and take one part 22.
- C、 Put part 22 on the PC board part 18 according to the line.
- D、 Stick part 22 fully fit the part 18.
- E、 Cut the part 22 according to the shape of part 18.
- F&G&H&I、 Stick part 22 fully fit the part 18.and cut it to perfect. It can't be with any gap.



12.

Begin installing the first polycarbonate panel (18) as shown below. Make sure the panel is touching the wall mount rail (1) as shown in figure (i). (The side sealed with part 22 should be on the lower side)

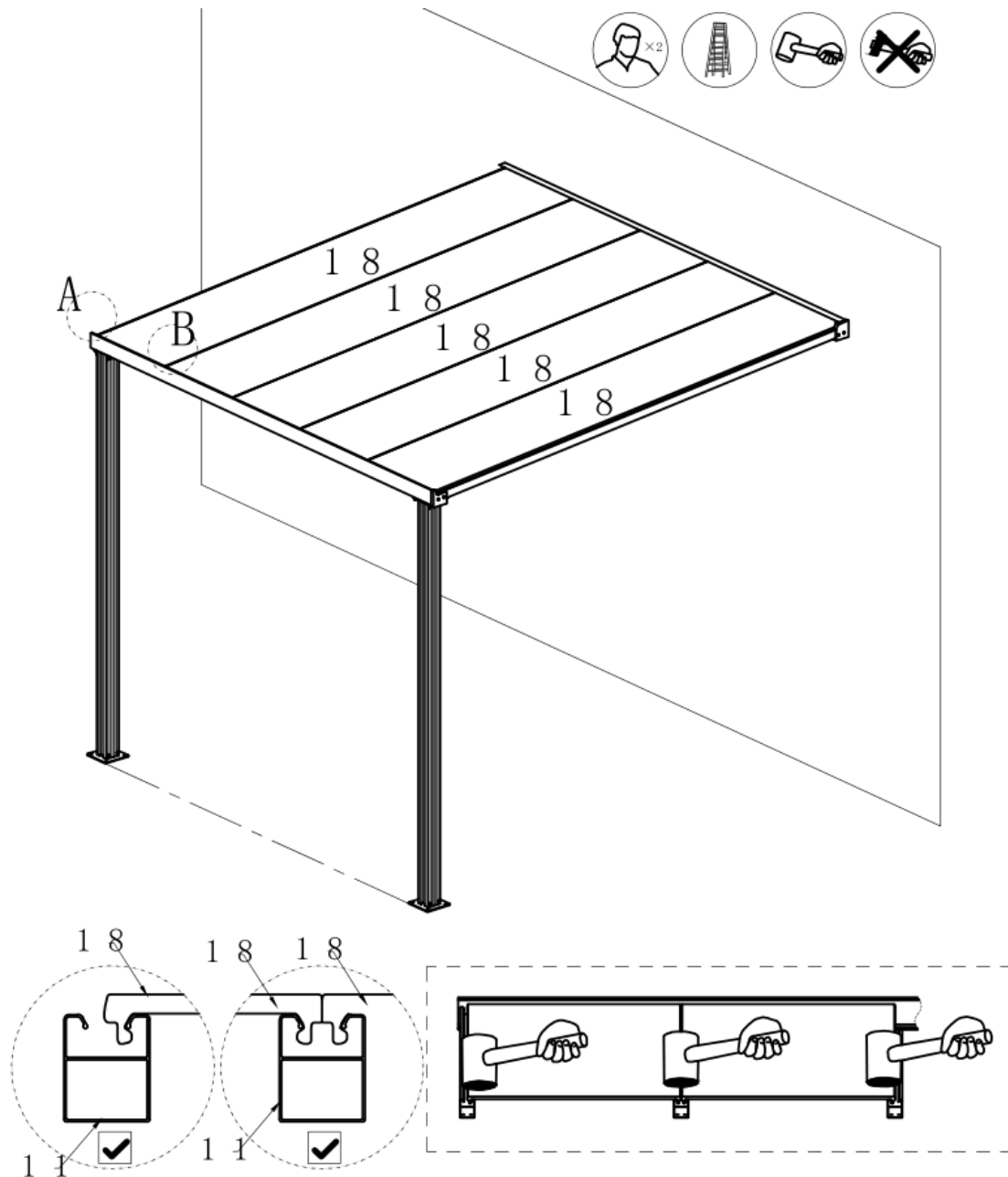


12.

13.

Make sure the polycarbonate panel (18) is correctly positioned on the rails (11, 12) and then use a rubber mallet on both sides of the panel to slot it into the rail grooves. **Only a rubber mallet may be used, do not use steel or wooden hammers as the polycarbonate could be damaged.**

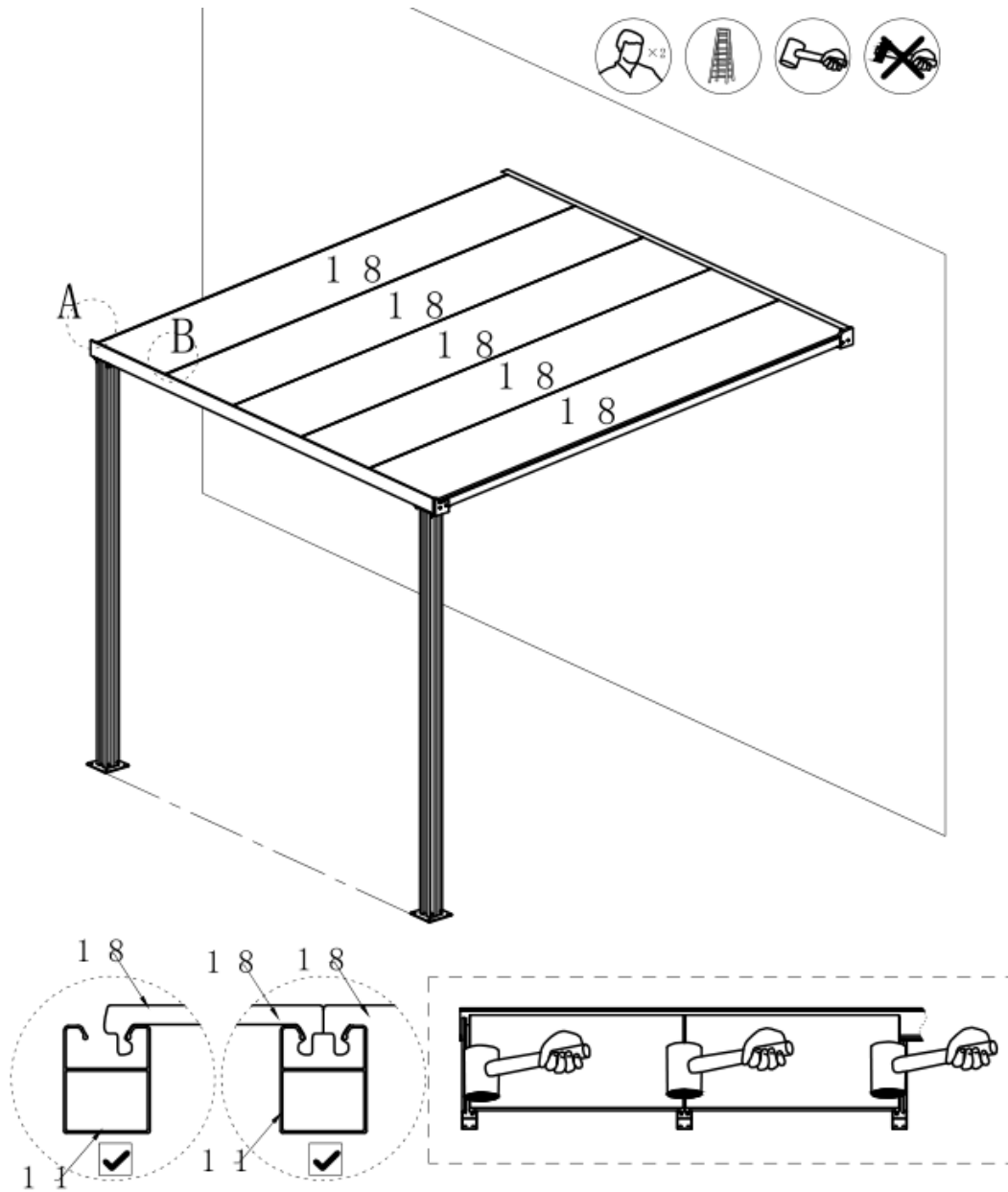
13.



14.

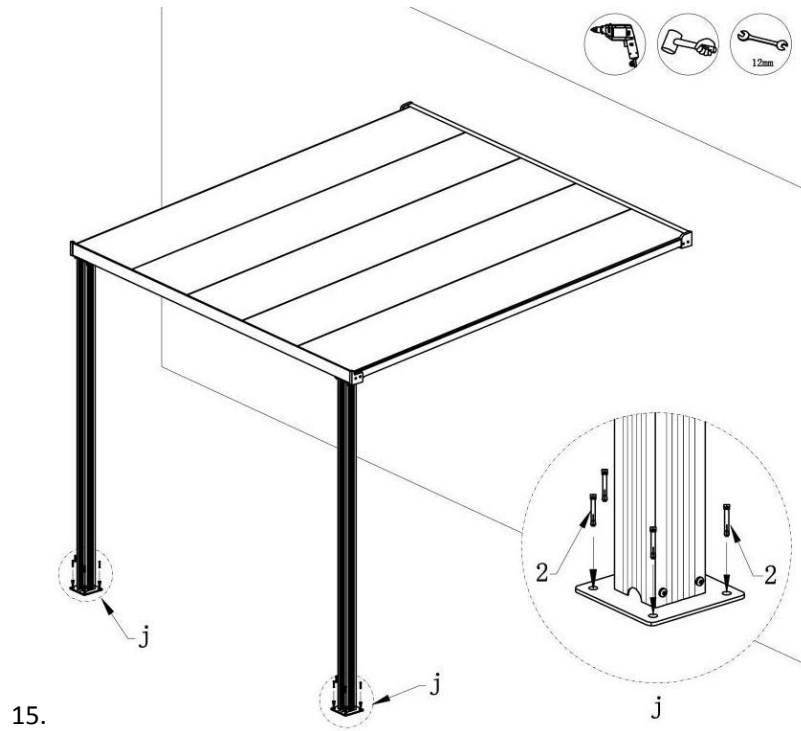
Repeat steps 12 and 13 for the rest of the panels (18).

14.



15.

Fixing the support feet (4) in place. Do this by drilling holes into the surface below as seen in figure (j). If the surface is concrete, use the expansion bolts (2) provided. Otherwise, use the correct fastening method for your application.



16.

Complete the installation by stuck *part 21* in *part 11* to ensure the panel tight. 3 for each side.

